



## National Range & Armory – Indoor League

### Practical Pistol and Pistol Caliber Carbine/Submachine Gun

3-Match Series

Wednesday, February 7, 14, 21 - 2018

<ul style="list-style-type: none"><li>• Certificates &amp; prizes awarded after 3 matches</li><li>• Individual score best 2 out of 3 matches</li><li>• \$10 for members per match week \$15 for non-members per match week</li></ul>	<p><b>All Day Wednesdays – 11:00 AM to 8:00 PM</b></p> <ul style="list-style-type: none"><li>• Additional divisions per match week: \$5 for members, \$10 for non-members</li></ul>
--	---

### General

Our goal is to host a safe, fun and competitive indoor league. Divisions are designed to include a variety of self-defense pistols, pistol caliber carbines and submachine guns. Pistol caliber carbines that are classified as pistols may be shouldered.

For all decisions, Official USPSA Rules will be followed. <https://uspsa.org/rules>

### Divisions

At the beginning of the match, competitors will choose to shoot in one or more divisions. Competitors may only shoot in originally selected divisions for the duration of the 3-match series using the same firearms. If there is a mechanical problem requiring a change of equipment, a different firearm may be used as a replacement, if it meets the requirements of the division and is approved by National.

### **Pistol and Revolver Divisions**

The Practical Pistol Match will have seven recognized divisions that includes pistols and revolvers firing (9mm/.38 Special) or larger ammunition.

1. Open: This is the race division. All legal firearms are allowed. Optics and compensators are allowed.
2. Limited: Any iron-sighted pistol without a compensator, barrel ports, or optical sight. Fiber optic inserts are specifically allowed.
3. Production: Any double action or safe action pistol on the USPSA or IPSC Production Gun list.  
<https://uspsa.org/productionlist>
4. BUG/Pocket Gun: Includes semi-automatic and revolver back up guns according to IDPA rules. The firearm must fit in the IDPA gun test box measuring 6 1/2" x 4 5/8" x 1 3/8".  
<http://www.idpa.com/compete/rules>

5. Single Stack: Will be governed by the criteria in the USPSA handgun rule book. i.e. 1911 models only allowed.  
[https://uspsa.org/viewer/Feb\\_2014\\_Handgun\\_Rules.pdf](https://uspsa.org/viewer/Feb_2014_Handgun_Rules.pdf)
6. Revolver: Any iron sighted revolver without a compensator, barrel ports or optical sight. Fiber optic inserts are specifically allowed. No barrel length restrictions.

### **Pistol Caliber Carbine/Submachine Gun Divisions**

The Pistol Caliber Carbine/Submachine Gun Match will have two recognized divisions.

1. Pistol Caliber Carbine: Any centerfire pistol caliber (non-bottlenecked) braced pistol, SBR, or carbine (including select fire weapons fired in semi-automatic).
2. Submachine Gun: Any pistol caliber submachine gun fired with the selector in the “auto” position for the duration of the course of fire.

Revised 1.29.18



## National Range & Armory – Indoor League

### Practical Pistol and Pistol Caliber Carbine/Submachine Gun 3-Match Series

Original Course of Fire for Pistol Caliber Carbine/Submachine Guns

Each string of fire will begin from the “Low Ready” position, defined as buttstock to shoulder with muzzle pointed down at approximately a 45° angle to the floor, with the finger outside of the trigger guard.

Competitors may load as many rounds as they like in a magazine, but extra impacts on target are not valid. Any shots fired exceeding the prescribed number for the current string will result in one of the competitor’s best hits on target to not be scored.

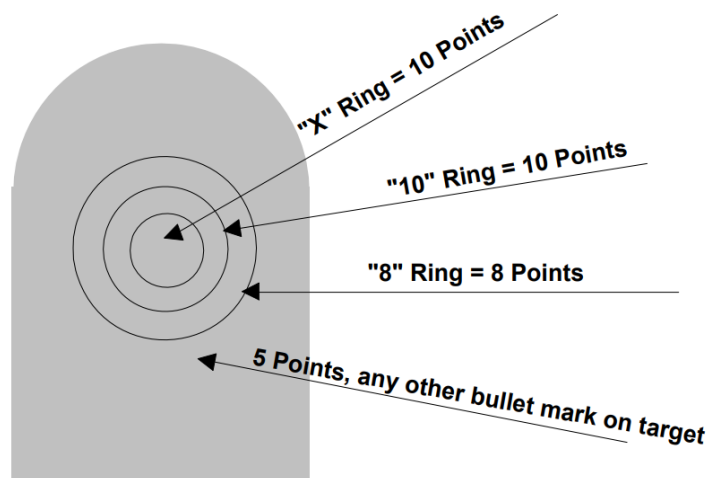
Shots fired after the par time are not valid. As such, per round fired after the par time, one of the competitor’s best hits on target will not be scored.

For all decisions, Official USPSA Rules will be followed. <https://uspsa.org/rules>

Competitor faces NRA “D1” paper targets at distances of 10, 12, 15, 20, and 25 yards with firing timed as follows:

D-1	5 rounds	12 yards	6 seconds
D-1	5 rounds	20 yards	6 seconds
D-1	10 rounds	10 yards	9 seconds
CHANGE TARGETS NOW			
D-1	10 rounds	15 yards	9 seconds
D-1	10 rounds	20 yards	9 seconds
D-1	10 rounds	25 yards	12 seconds

### SCORING TARGET



**THERE IS NO PENALTY FOR MISSES OR UNFIRED SHOTS.**

**Pistol Caliber Carbine/Submachine Gun Divisions**

The Pistol Caliber Carbine/Submachine Gun Match will have two recognized divisions.

1. Pistol Caliber Carbine: Any centerfire pistol caliber (non-bottlenecked) braced pistol, SBR, or carbine (including select fire weapons fired in semi-automatic).
2. Submachine Gun: Any pistol caliber submachine gun fired with the selector in the "auto" position for the duration of the course of fire.



## National Range & Armory – Indoor League

### Practical Pistol and Pistol Caliber Carbine/Submachine Gun 3-Match Series

Original Course of Fire for Pistols and Revolvers

Each string of fire will begin from the “Low Ready” position, defined as muzzle pointed down at approximately a 45° angle to the floor, with the finger outside of the trigger guard.

Competitors may load as many rounds as they like in a magazine, but extra impacts on target are not valid. Any shots fired exceeding the prescribed number for the current string will result in one of the competitor’s best hits on target to not be scored.

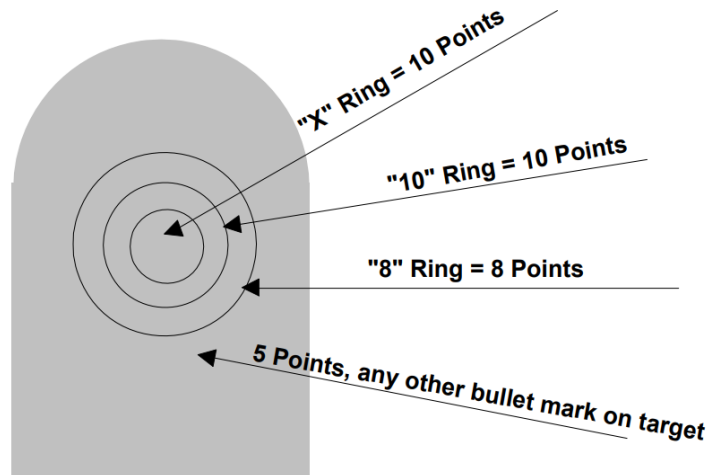
Shots fired after the par time are not valid. As such, per round fired after the par time, one of the competitor’s best hits on target will not be scored.

For all decisions, Official USPSA Rules will be followed. <https://uspsa.org/rules>

Competitor faces NRA “D1” paper targets at distances of 5, 7, 15, and 20 yards with firing timed as follows:

D-1	5 rounds	7 yards	10 seconds
D-1	5 rounds	15 yards	10 seconds
D-1	10 rounds	5 yards	10 seconds pistol, revolver 5+5
CHANGE TARGETS NOW			
D-1	10 rounds	7 yards	15 seconds pistol, revolver 8+8
D-1	10 rounds	15 yards	15 seconds pistol, revolver 8+8
D-1	10 rounds	20 yards	15 seconds pistol, revolver 8+8

### SCORING TARGET



## **THERE IS NO PENALTY FOR MISSES OR UNFIRED SHOTS.**

### **Pistol and Revolver Divisions**

The Practical Pistol Match will have seven recognized divisions that includes pistols and revolvers firing (9mm/.38 Special) or larger ammunition.

1. Open: This is the race division. All legal firearms are allowed. Optics and compensators are allowed.
2. Limited: Any iron-sighted pistol without a compensator, barrel ports, or optical sight. Fiber optic inserts are specifically allowed.
3. Production: Any double action or safe action pistol on the USPSA or IPSC Production Gun list.  
<https://uspsa.org/productionlist>
4. BUG/Pocket Gun: Includes semi-automatic and revolver back up guns according to IDPA rules. The firearm must fit in the IDPA gun test box measuring 6 1/2" x 4 5/8" x 1 3/8".  
<http://www.idpa.com/compete/rules>
5. Single Stack: Will be governed by the criteria in the USPSA handgun rule book. i.e. 1911 models only allowed.  
[https://uspsa.org/viewer/Feb\\_2014\\_Handgun\\_Rules.pdf](https://uspsa.org/viewer/Feb_2014_Handgun_Rules.pdf)
6. Revolver: Any iron sighted revolver without a compensator, barrel ports or optical sight. Fiber optic inserts are specifically allowed. No barrel length restrictions.